

### APPLICATIONS

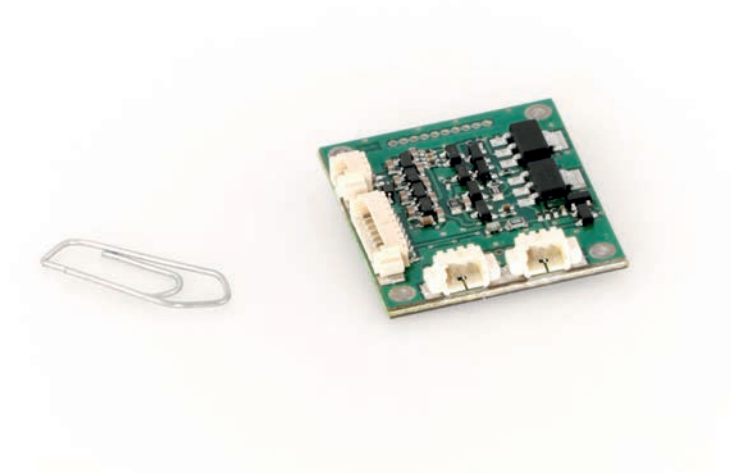
- > Embedded system
- > Battery powered application

### KEY FEATURES

- > 5mA per channel
- > 2 channels
- > Push-Pull configuration
- > Fully protected piezo amplifier
- > Ultra light and compact
- > Building block for pcb mounting

### RELATED PRODUCT

- > Evaluation Pack EP120S



NON CONTRACTUAL PICTURE

### SPECIFICATIONS

PARAMETER	TYPICAL VALUE	UNIT
<b>&gt; General</b>		
Function	Embedded Driver for piezoelectric actuators	
Number of channels	2 + Push Pull	
<b>&gt; Input</b>		
Analogue Control Input voltage	0.1 ... +3.3	V
Analogue Control Input impedance	10	kΩ
<b>&gt; Output</b>		
Typical output voltage	+5 ... +150	V
Continuous output current <sup>(1)</sup>	±5	mA
Residual offset	<100	mV
Maximum output load	40	μF
Output DC voltage	150	V
DC error	±5	V
Load regulation	1	%
<b>&gt; Power amplifier</b>		
Peak output power <sup>(2)</sup>	1	VA
<b>&gt; Gain</b>		
Gain	45	V/V
Gain error	±1	%
Gain linearity error	0.01	%
<b>&gt; Dynamic performance</b>		
Small signal bandwidth (-3dB) <sup>(3)</sup>	2	kHz
Power bandwidth <sup>(4)</sup>	6	Hz
THD	0.1	%
Signal to Noise Ratio <sup>(5)</sup>	70	dB <sup>(5)</sup>

> **Protections** Overcurrent,  
Overvoltage

> **Power Supply**

Main Power supply	5 ... 12	VDC
Max Current Main Power supply	200	mA
3V3 Power supply (SPI bus)	+3.3	VDC
Max Current 3V3 Power supply	10	mA

## ANNOTATIONS

*Guaranted in labs environment*

(1) Internally limited

(2) AC+DC apparent power, sine signal

(3) Unloaded

(4) With 2.2 $\mu$ F and full scale input (0;+3.3V); output -3dB

(5) Computed as RMS output signal/ RMS output Noise floor

(6) Extended temperature under request

## MISCELLANEOUS

PARAMETER	TYPICAL VALUE	UNIT
Mass	8	gr
External dimension	Open frame - PCB board 29x34.5x7	mm3
Warm up time	5	min
Cooling	Convection	
Operating temperature range <sup>(6)</sup>	0 ... 40	°C
Storage temperature range	-10 ... 50	°C

## INTERFACES

- > **Control input** Molex picoblade series 8pins Right angle male pitch 1.25 mm
- > **Piezo actuator Output** 2 x Molex picoblade series 3pins Right angle male pitch 1.25 mm
- > **Main voltage connector** Molex picoblade series 2pins Right angle male pitch 1.25 mm
- > **PCB integration** PCB mounting with 1.27 pitch for right pins connectors

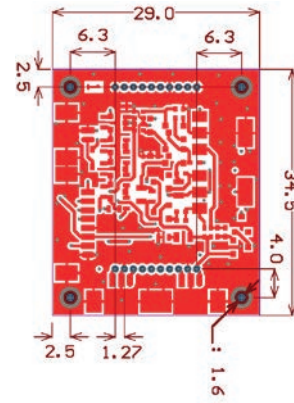
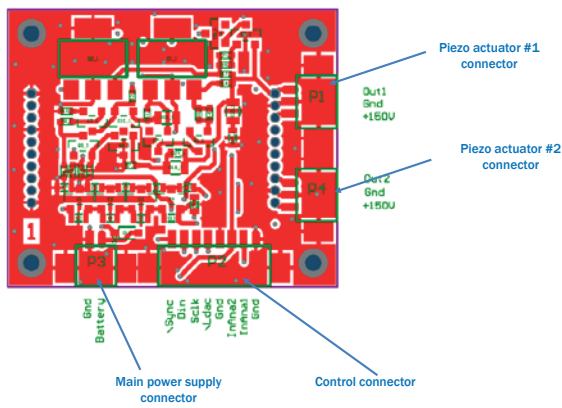
## INCLUDED ACCESSORIES

- > **Piezo actuator cable** Coax 1.5m Molex picoblade -banana 1mm plug
- > **Control cable**
- > **Main voltage cable**

## OPTIONS

- > **Connector interface option for CAU10 2 channels** To connect two actuators

## DRAWINGS



## TYPICAL PERFORMANCE CHARACTERISTICS

