

STC-4SS-3528-B (A)

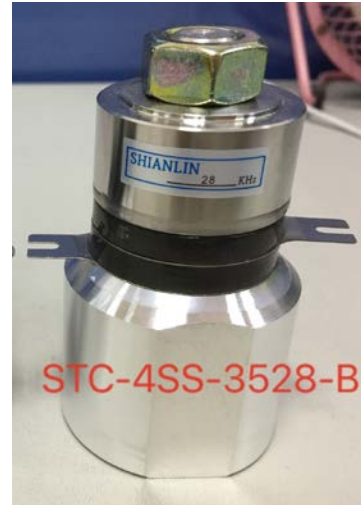
Ultrasonic Cleaning Transducer

APPLICATION

Ultrasonic Cleaning

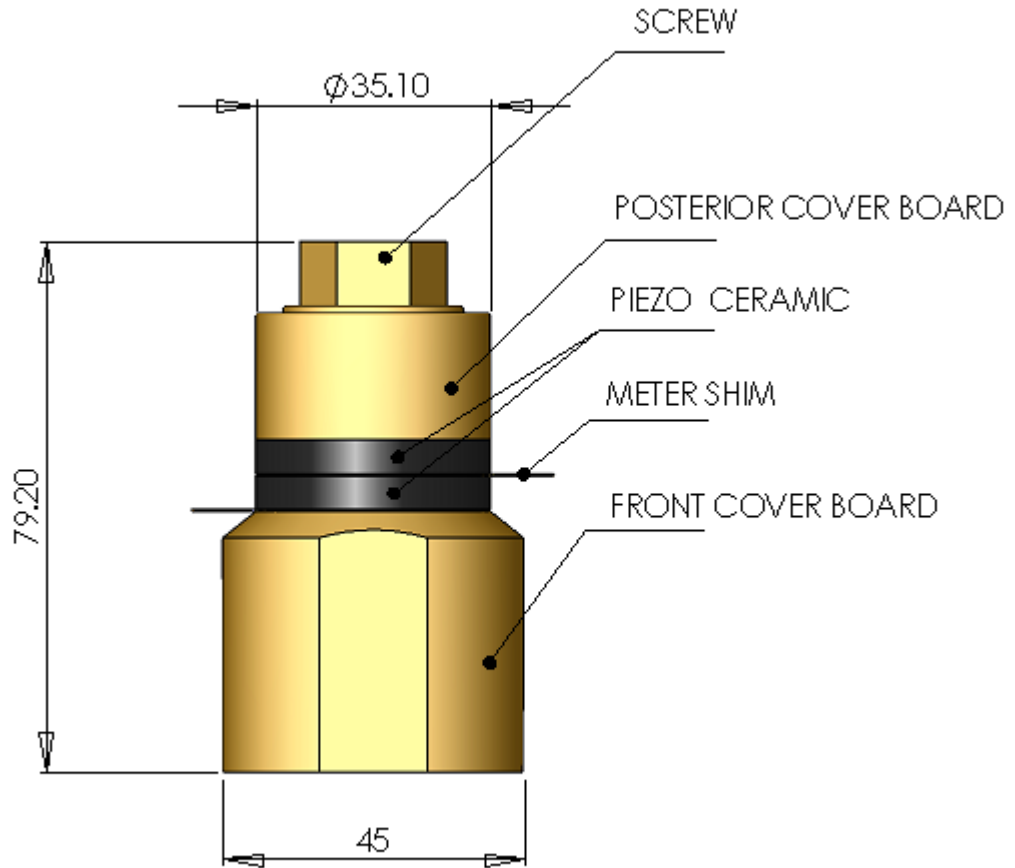
FEATURES

- High Mechanical Quality
- Efficient Electro-Acoustics Conversion
- Large Output Amplitude
- Low Heat Generation
- Stable Output Uninfluenced by Variation in Load



SPECIFICATIONS	
Resonant Frequency:	Fr = 28 ± 1 kHz
Resonant Resistance:	Ro = max. 20 Ω
Capacitance:	Cp = 3800 pF± 15%
Power (Instantaneous Power):	50 W
Max. Input Voltage:	3000 Vp-p
Joint Bolt:	M 10 x 1.0 mm
Weight:	400 g
TEST METHOD & CONDITIONS	
Test Environment:	23 ± 3 °C; 40 ~ 70% RH
Fr and Ro:	HP-4194 Impedance Analyzer
Capacitance:	LCR meter at 1 kHz, 1 Vrms

DRAWING



Note:
Back Horn Material – 304 Stainless Steel