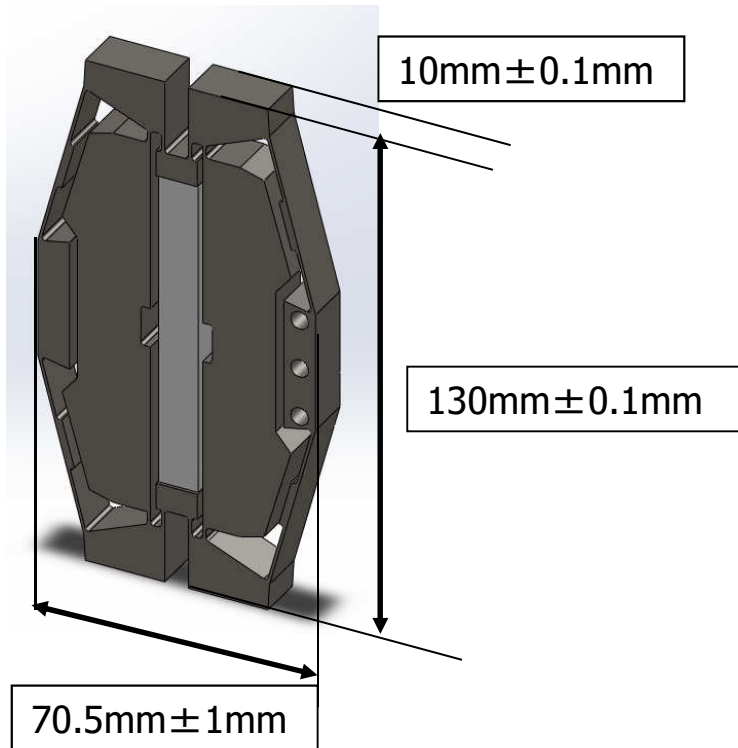




MTN10S1150F113



Displacement : 1150 μ m±20%
*voltage:0V~150V

Applicable voltage:-15V to 150V

Blocked force : 113N ±20%

Resonant frequency: Above 100Hz
*without external load

