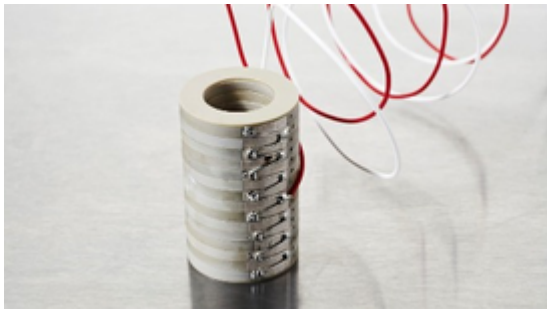


NAC2121-Hxx



Noliac ring stack actuator NAC2121-Hxx (height in mm - Hxx) is based on the multilayer actuator NAC2121 and can be stacked to match your requirements. The standard range of NAC2121-Hxx is produced in a height between 4-60 mm. The ring stack provides a stroke in a range between 3.3 and 95.7 μm and blocking force up to 1060 N depending on the height of the stack.

SPECIFICATIONS

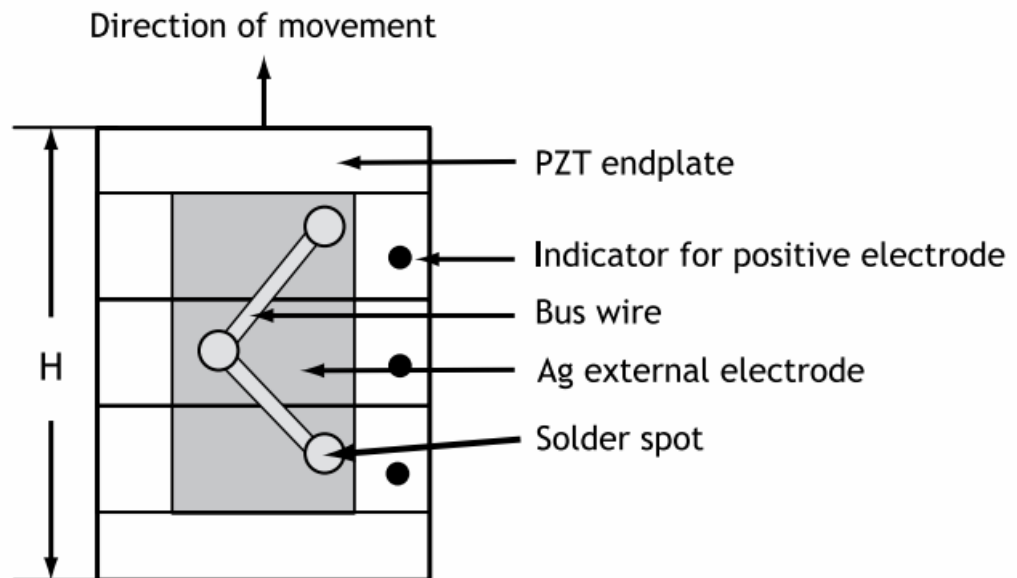
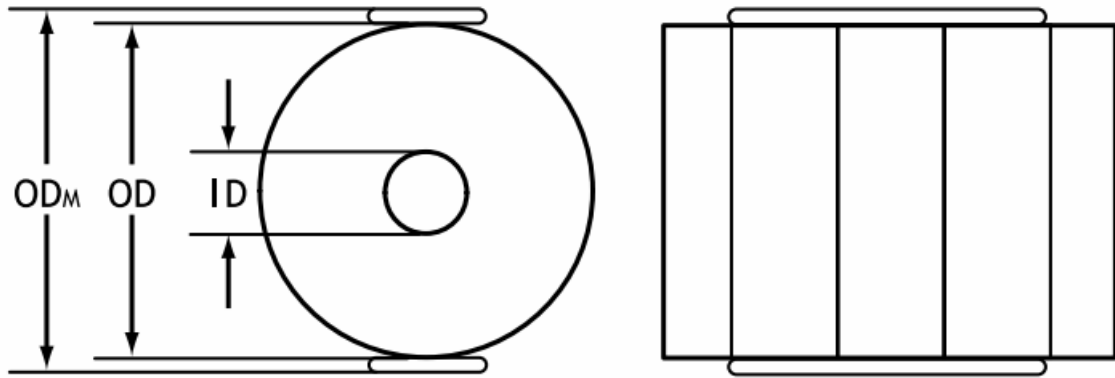
Attributes	Value	Tolerance
Length / outer diameter	6 mm	+0.40/-0.20 mm
Width / inner diameter	2 mm	+0.10/-0.30 mm
Max width / outer diameter max	7.8 mm	
Height	4 — 60 mm	+/-0.2 mm or 1% (whichever is largest)
Operating voltage, max.	200 V	
Free stroke, max.	3.3 — 95.7 μm	+/- 15%
Blocking force, max.	1060 N	+/-20%
Capacitance	95-2750 nF	+/- 15%
Stiffness	321-11 N/ μm	+/-20%
Maximum operating temperature	150 °C	
Material	NCE51F	
Unloaded resonance frequency	>248k - 18k Hz	
Electrodes	Screen-printed Ag and soldered bus wire (option: glued connections)	

Stack options

Height	Stroke	Capacitance
4 mm	3.3 μm	90 nF
6 mm	6.6 μm	190 nF
8 mm	9.9 μm	280 nF
10 mm	13.2 μm	380 nF

12 mm	16.5 μm	470 nF
14 mm	19.8 μm	570 nF
16 mm	23.1 μm	660 nF
18 mm	26.4 μm	760 nF
20 mm	29.7 μm	850 nF
22 mm	33 μm	950 nF
24 mm	36.3 μm	1040 nF
26 mm	39.6 μm	1130 nF
28 mm	42.9 μm	1230 nF
30 mm	46.2 μm	1320 nF
32 mm	49.5 μm	1420 nF
34 mm	52.8 μm	1510 nF
36 mm	56.1 μm	1610 nF
38 mm	59.4 μm	1700 nF
40 mm	62.7 μm	1800 nF
42 mm	66 μm	1890 nF
44 mm	69.3 μm	1980 nF
46 mm	72.6 μm	2080 nF
48 mm	75.9 μm	2170 nF
50 mm	79.2 μm	2270 nF
52 mm	82.5 μm	2360 nF
54 mm	85.8 μm	2460 nF
56 mm	89.1 μm	2550 nF
58 mm	92.4 μm	2650 nF
60 mm	95.7 μm	2740 nF

DRAWINGS



MOUNT AND CONNECT

Mounting

The actuators are usually grinded on top and bottom surfaces (perpendicular to the direction of expansion) in order to obtain flat and parallel surfaces for mounting. The actuators may be mounted either by mechanical clamping or gluing.

Avoiding short circuit can either be achieved by:

- Adding Kapton foil on the metallic surfaces.
- Having inactive ceramic plates between the actuator and the metal plate.
- Stacked actuators are manufactured with top and bottom insulating ceramic end-plates.

If glued, it is important to ensure a very thin glue line between the actuator and the substrate. It is recommended that a pressure, e.g. 2-5 MPa, is applied during the curing process.

To avoid significant loss of performance, the mounting of the actuators should avoid mechanical clamping and/or gluing on the sides of the actuator.

During manufacturing or handling, minor chips on the end-plates can appear. Minor chips cannot be avoided, but such chips do not affect performance.

Electrical connection

External electrodes

The external electrodes are screen printed silver as standard. Other materials, e.g. gold or silver/palladium are available on request. The positive electrode is indicated by a black spot.

Electrical connection to the external electrodes can be achieved by mechanical contacts, soldering, gluing with electrically conductive glues or wire bonding.

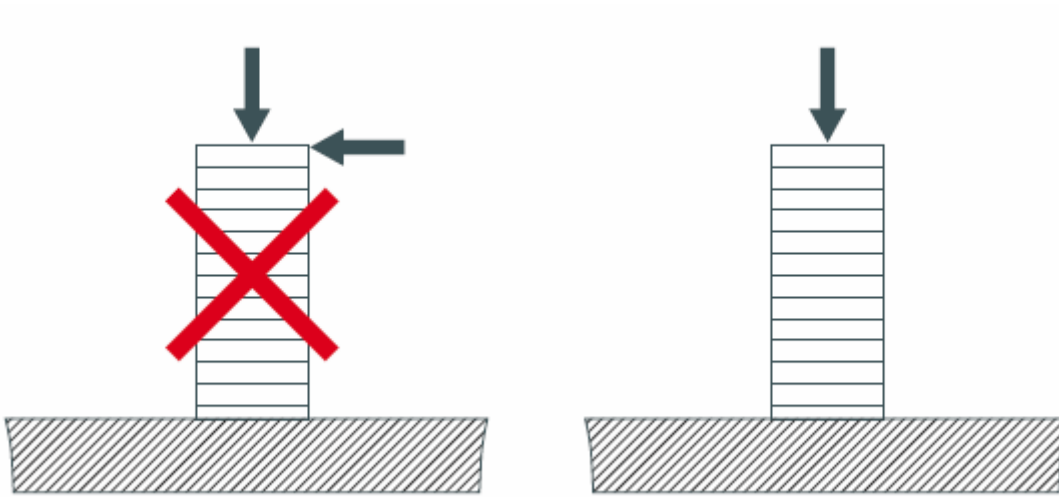
Mechanical connections

Mechanical connections can be arranged by e.g. copper springs contacted to the external electrodes. It is recommended to use external electrodes of gold in order to eliminate oxidation of the electrodes.

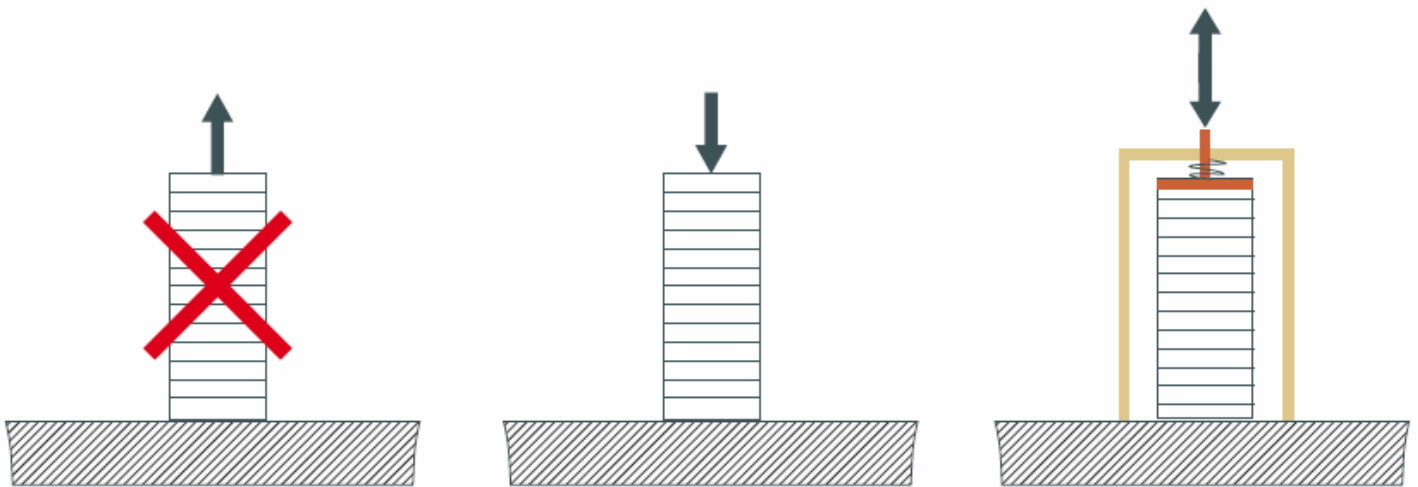
Soldering

Soldering electrical wires to the screen-printed silver electrode makes an excellent and time-stable connection. In order to avoid challenges with wetting the solder on the silver surface, always clean the external electrodes with a glass brush or steel wool.

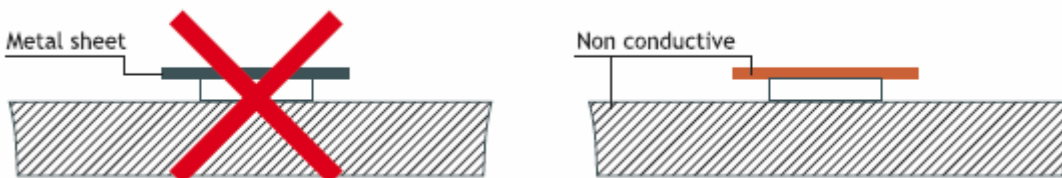
The actuators may only be stressed axially. Tilting and shearing forces must be avoided.



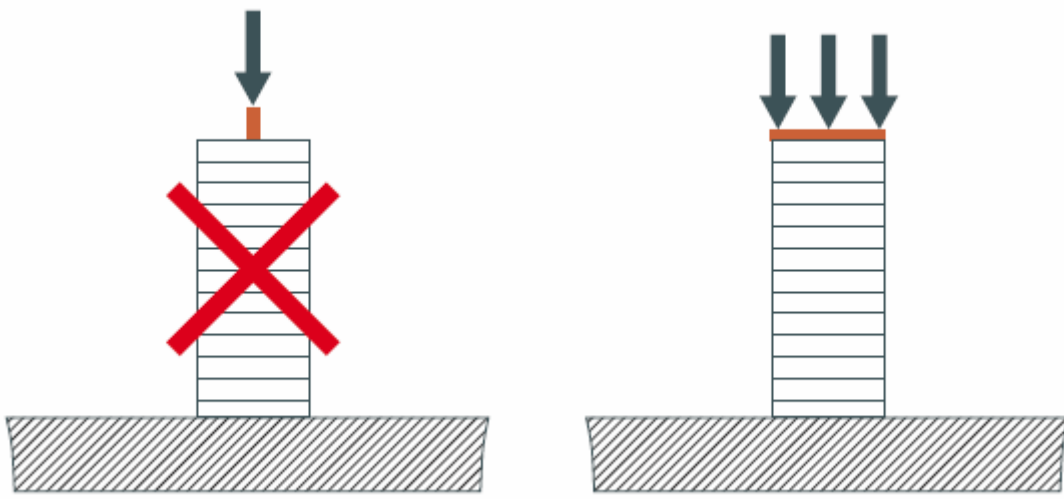
The actuators without preload are sensitive to pulling forces. It is recommended to apply a pre-load in order to optimize the performances of the actuators.



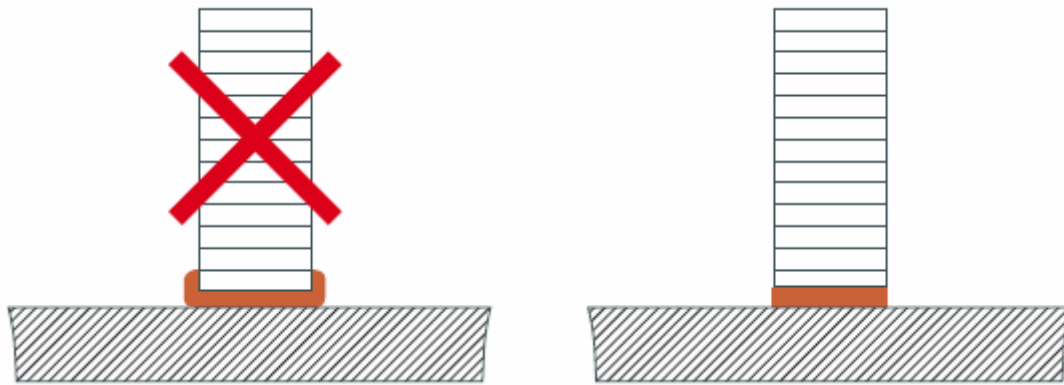
For linear actuators it is recommended not to use a metal plate on top and bottom in order to avoid short circuit.



The force must be applied on the full surface of the actuator in order to assure a good load distribution.



Epoxy glues are well suited for gluing piezoceramics.



WIRES

When you order actuators from Noliac, you can have wires fitted to save time and money. However, you should consider these parameters, when you select a wire for connection:

- Operation voltage
- Intensity of current
- Operating temperature
- Environment for example vacuum

We recommend Teflon wires

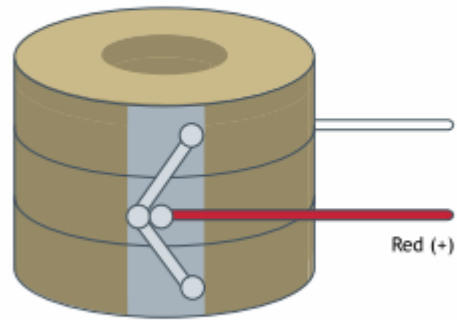
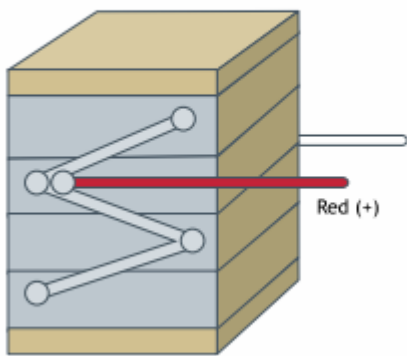
Teflon wires can stand temperatures above 200 °C, whereas PVC wires only resist temperatures up to 80 °C. In tough operating conditions or in vacuum, it is recommended always to use Teflon isolated wire to guarantee the proper performance of PZT-elements.

Wire thickness (AWG)

The wire thickness (AWG) is determined by the current that has to be transmitted to and from the PZT-element. The required current is determined by the capacitance of the PZT-element, the maximum driving frequency and the maximum voltage U_p .

	Option A01	Option A02	Option C
Type	28 AWG Teflon	28 AWG Teflon	Custom
Length	200 +/- 10mm	200 +/- 10mm	To be defined
Position	Middle of the actuator	Middle of the actuator	To be defined
Direction	Perpendicular to the height	Toward top	To be defined

Type A01



Type A02

